

Silicon NPN Power Transistors

2SD2579

DESCRIPTION

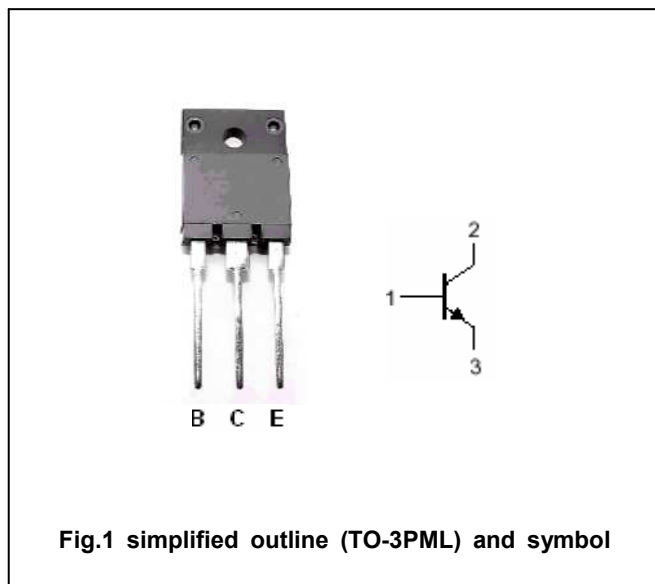
- With TO-3PML package
- High speed
- High breakdown voltage
- High reliability

APPLICATIONS

- Color TV horizontal deflection output

PINNING

| PIN | DESCRIPTION |
|-----|-------------|
| 1 | Base |
| 2 | Collector |
| 3 | Emitter |



Absolute maximum ratings(Ta=25°C)

| SYMBOL | PARAMETER | CONDITIONS | VALUE | UNIT |
|------------------|-----------------------------|----------------------|---------|------|
| V _{CBO} | Collector-base voltage | Open emitter | 1500 | V |
| V _{CEO} | Collector-emitter voltage | Open base | 800 | V |
| V _{EBO} | Emitter-base voltage | Open collector | 6 | V |
| I _C | Collector current | | 8 | A |
| I _{CM} | Collector current-peak | | 20 | A |
| P _C | Collector power dissipation | T _C =25°C | 60 | W |
| | | | 3 | |
| T _j | Junction temperature | | 150 | °C |
| T _{stg} | Storage temperature | | -55~150 | °C |

Silicon NPN Power Transistors

2SD2579

CHARACTERISTICS

T_j=25 °C unless otherwise specified

| SYMBOL | PARAMETER | CONDITIONS | MIN | TYP. | MAX | UNIT |
|-----------------------|--------------------------------------|---|-----|------|-----|------|
| V _{CEQ(SUS)} | Collector-emitter sustaining voltage | I _C =100mA; I _B =0 | 800 | | | V |
| V _{CEsat} | Collector-emitter saturation voltage | I _C =5 A; I _B =1A | | | 5 | V |
| V _{BEsat} | Base-emitter saturation voltage | I _C =5 A; I _B =1A | | | 1.5 | V |
| I _{CBO} | Collector cut-off current | V _{CB} =800V ; I _E =0 | | | 10 | μA |
| I _{CES} | Collector cut-off current | V _{CE} =1500V ; R _{BE} =0 | | | 1.0 | mA |
| I _{EBO} | Emitter cut-off current | V _{EB} =4V; I _C =0 | | | 1.0 | mA |
| h _{FE-1} | DC current gain | I _C =5A ; V _{CE} =5V | 5 | | 8 | |
| h _{FE-2} | DC current gain | I _C =1A ; V _{CE} =5V | 20 | | 35 | |
| t _f | Fall time | I _C =4A; R _L =50Ω I _{B1} =0.8A; -I _{B2} =1.6A; V _{CC} =200V | | | 0.3 | μs |

Silicon NPN Power Transistors

2SD2579

PACKAGE OUTLINE

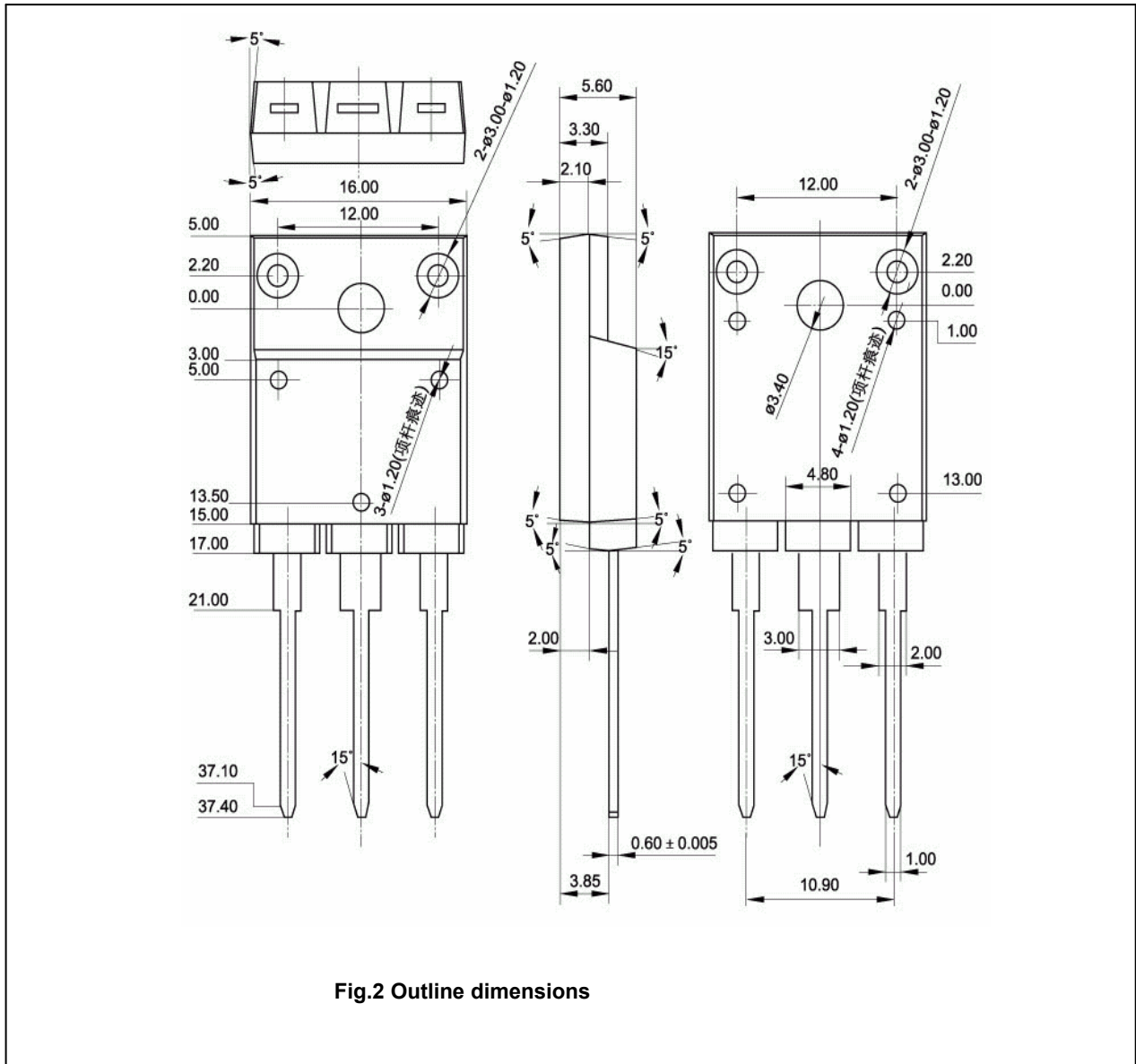


Fig.2 Outline dimensions

Silicon NPN Power Transistors

2SD2579

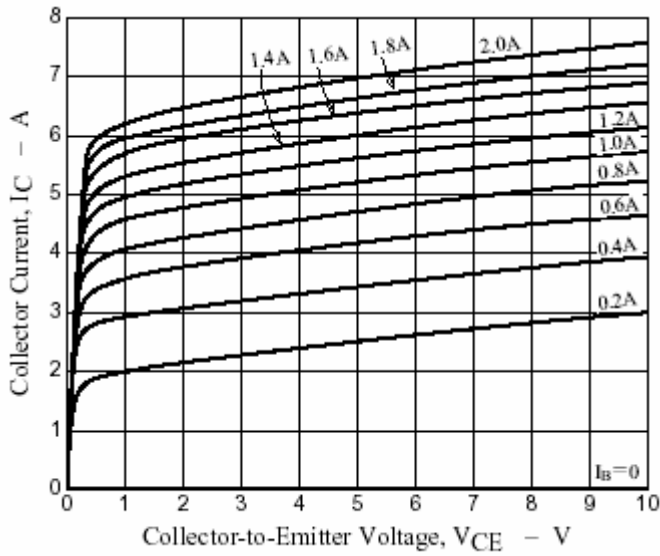


Fig.3 Static Characteristic

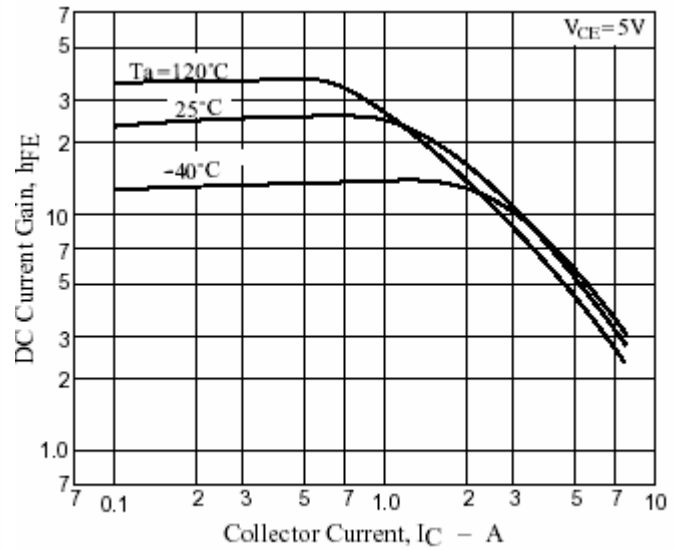


Fig.4 DC current Gain

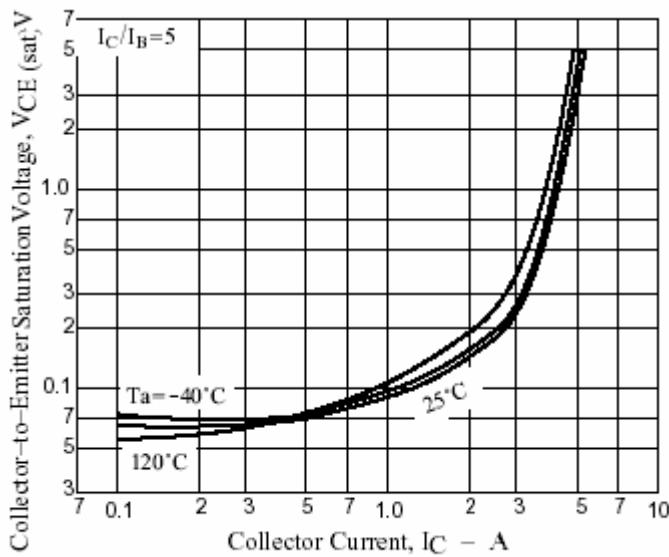


Fig.5 Collector-Emitter Saturation Voltage

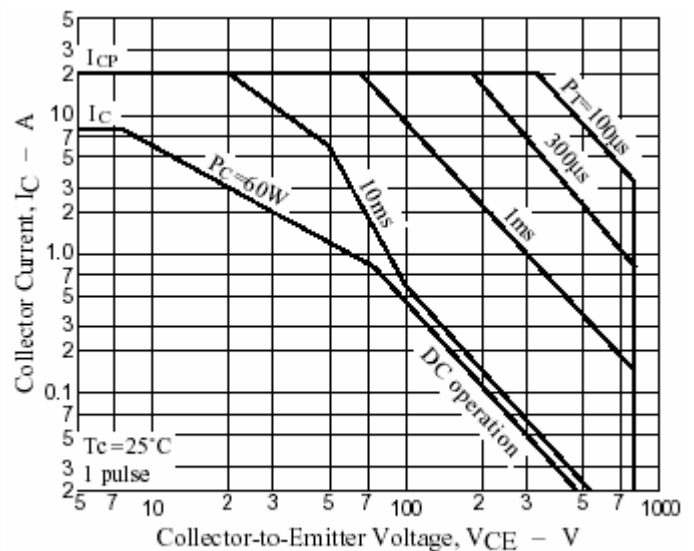


Fig.6 Safe Operating Area

This datasheet has been downloaded from:

www.DatasheetCatalog.com

Datasheets for electronic components.