

Silicon NPN Power Transistors

2SD1649

DESCRIPTION

- With TO-3PML package
- Built-in damper diode
- High voltage ,high speed

APPLICATIONS

- For color TV horizontal deflection output applications

PINNING

PIN	DESCRIPTION
1	Base
2	Collector
3	Emitter

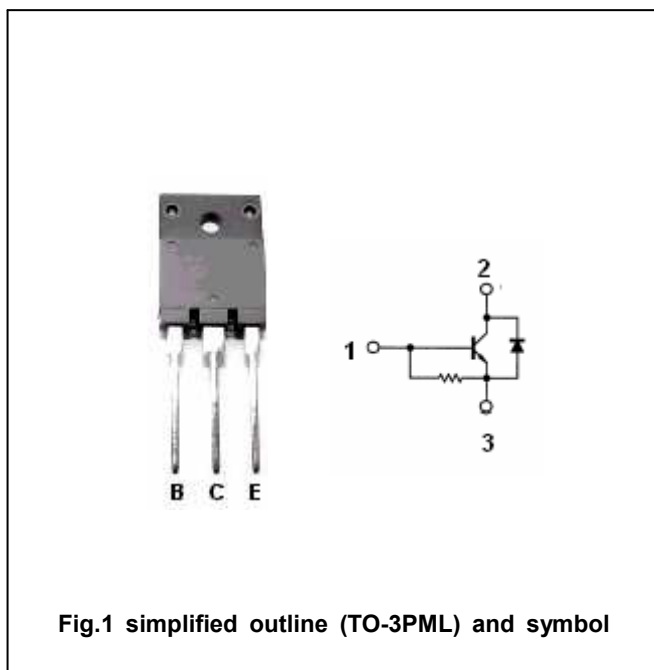


Fig.1 simplified outline (TO-3PML) and symbol

Absolute maximum ratings (Ta=25°C)

SYMBOL	PARAMETER	CONDITIONS	VALUE	UNIT
V_{CBO}	Collector-base voltage	Open emitter	1500	V
V_{CEO}	Collector-emitter voltage	Open base	800	V
V_{EBO}	Emitter-base voltage	Open collector	6	V
I_C	Collector current		2.5	A
I_{CM}	Collector current-peak		10	A
P_C	Collector power dissipation		50	W
T_j	Junction temperature		150	°C
T_{stg}	Storage temperature		-55~150	°C

Silicon NPN Power Transistors

2SD1649

CHARACTERISTICS

T_j=25°C unless otherwise specified

SYMBOL	PARAMETER	CONDITIONS	MIN	TYP.	MAX	UNIT
V _{(BR)EBO}	Emitter-base breakdown voltage	I _E =200mA, I _C =0	7			V
V _{(BR)CEO}	Collector-emitter breakdown voltage	I _C =0.1A; R _{BE} =∞	800			V
V _{(BR)CBO}	Collector-base breakdown voltage	I _C =5mA; I _E =0	1500			V
V _{CEsat}	Collector-emitter saturation voltage	I _C =2A; I _B =0.6A			8.0	V
V _{BEsat}	Base-emitter saturation voltage	I _C =2A; I _B =0.6A			1.5	V
I _{CBO}	Collector cut-off current	V _{CB} =800V; I _E =0			10	μA
I _{EBO}	Emitter cut-off current	V _{EB} =4V; I _C =0	40		130	mA
h _{FE}	DC current gain	I _C =0.5A; V _{CE} =5V	8			
f _T	Transition frequency	I _C =0.5A; V _{CE} =10V		3		MHz
V _F	Diode forward voltage	I _F =2.5A			2.0	V
t _f	Fall time	I _C =2A; I _{B1} =0.6A; I _{B2} =-1.2A V _{CC} =200V; R _L =100Ω			0.4	μs

Silicon NPN Power Transistors

2SD1649

PACKAGE OUTLINE

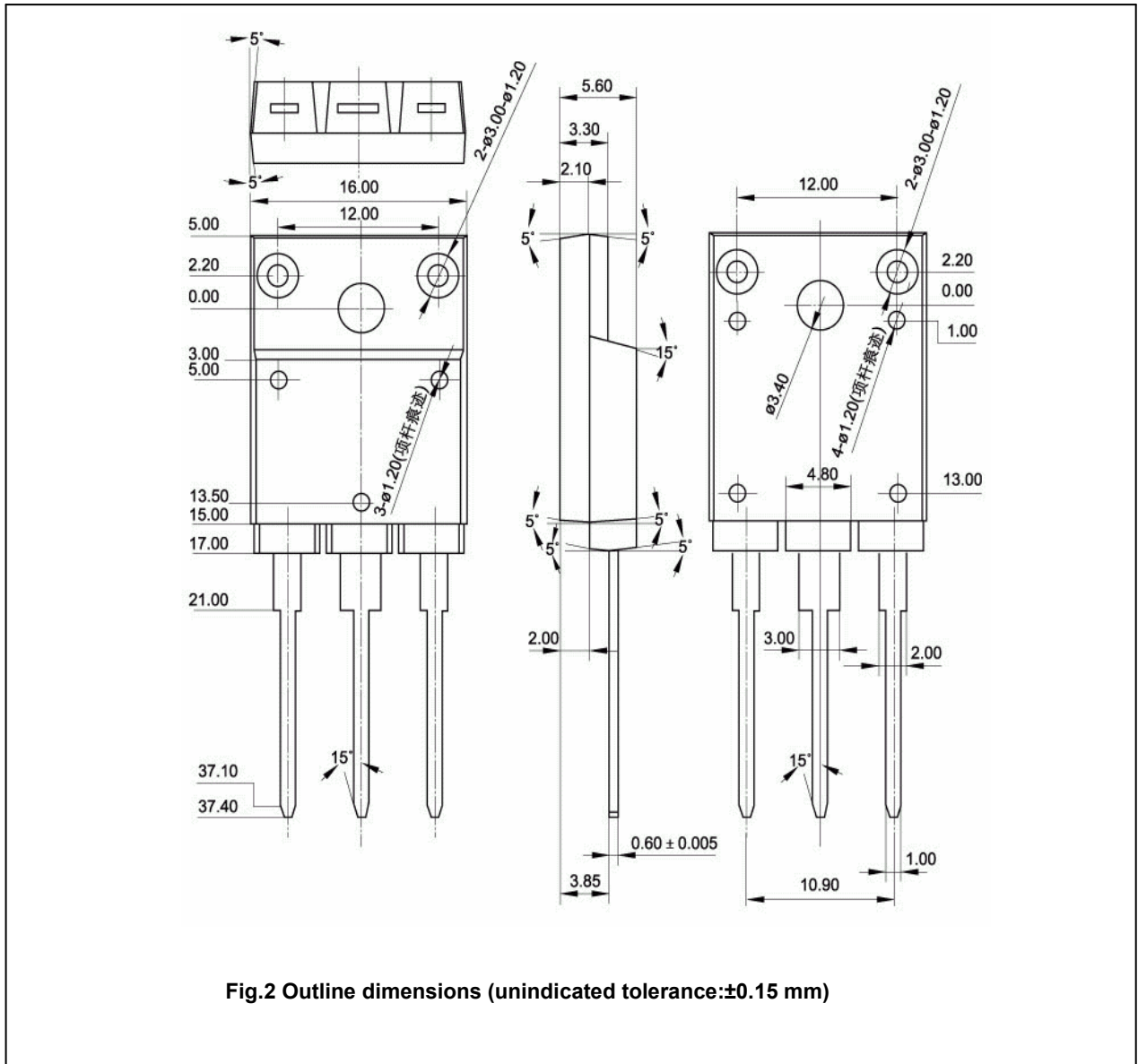


Fig.2 Outline dimensions (unindicated tolerance:±0.15 mm)

This datasheet has been downloaded from:

www.DatasheetCatalog.com

Datasheets for electronic components.